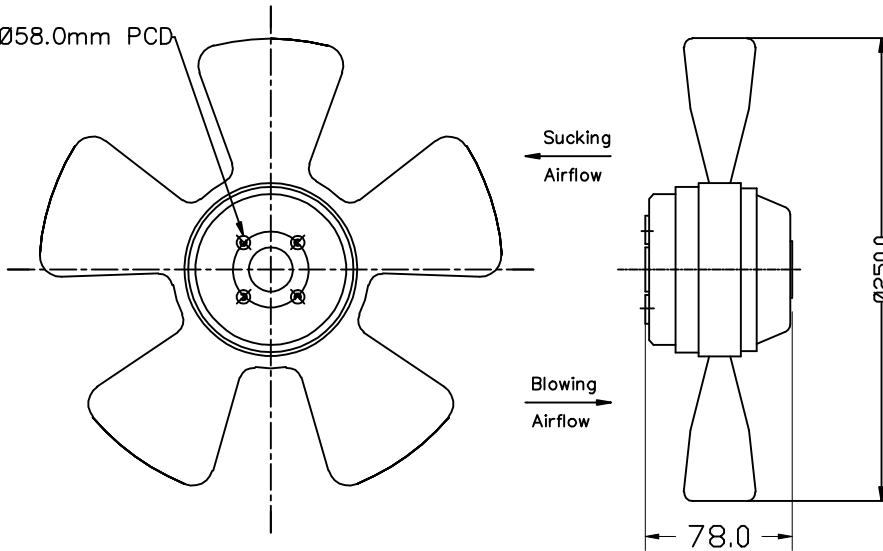




# TECHNICAL DATA SHEET

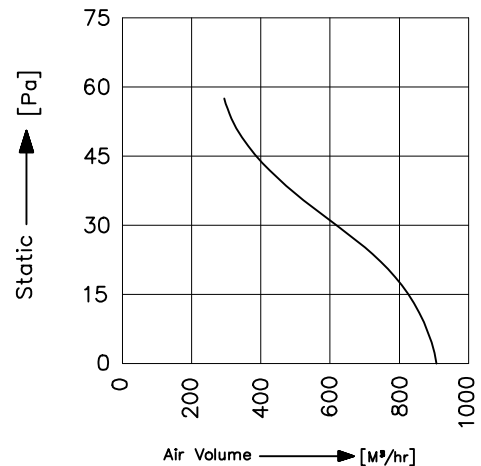
M5X8mm, 4Nos On Ø58.0mm PCD



## SPECIFICATION (50Hz)

Voltage (V)	230
Watt (W)	51
Amps (A)	0.23
Speed (rpm)	1450
Capacitor (µF)	2.0
Airflow (m <sup>3</sup> /hr)	900
Noise (db)	60
Net Weight (Kg) (With Bucket Grill)	2.2

## PERFORMANCE CURVE



Conversion: 100pa ≈ 0.4" H2O    100m<sup>3</sup>/hr ≈ 60cfm

All information contained in this document is CONFIDENTIAL and the property of VBM. Reproduction of this any form is to be done with the specific permission of the company.

### \*Material :

- Blade: Steel, powder coated
- Grill: Steel, powder coated
- Rotor: Powder coated
- Housing: Steel, powder coated

\*Type of protection: IP-54

\*Insulation Class: "F"- Class

\*Bearing: Maintenance free Ball Bearing.

\*Permissible ambient temperature: 0 to 60° C

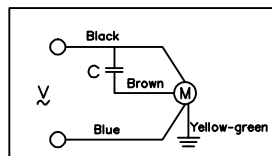
\*High Voltage test according to IS: 3588-1987

\*Balancing Grade: Fans conform 2.5 Grade as recommended by IS 1940-1973

\*Direction of rotation: Sucking- Counter clockwise

Blowing- Clockwise, Seen on rotor

### \*Wiring Diagram :



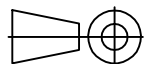
MODEL : FA23/250-14/S2

SCALE: NTS | Page 1 of 2

REV/DATE: 01,29.11.2013

PREPARED BY : J.G.P

CHECKED BY : S.B.D

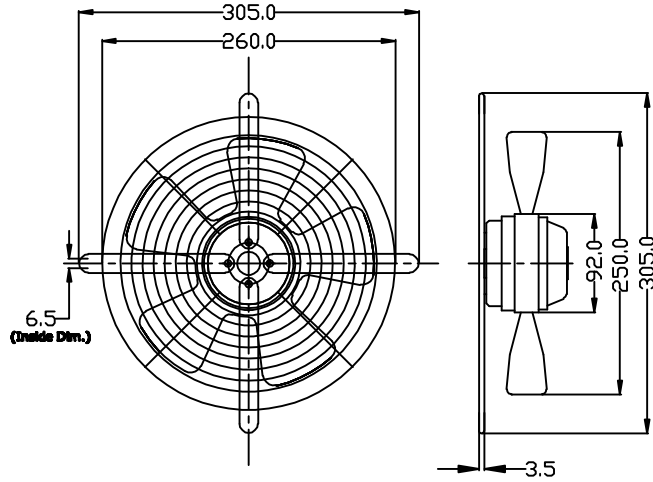




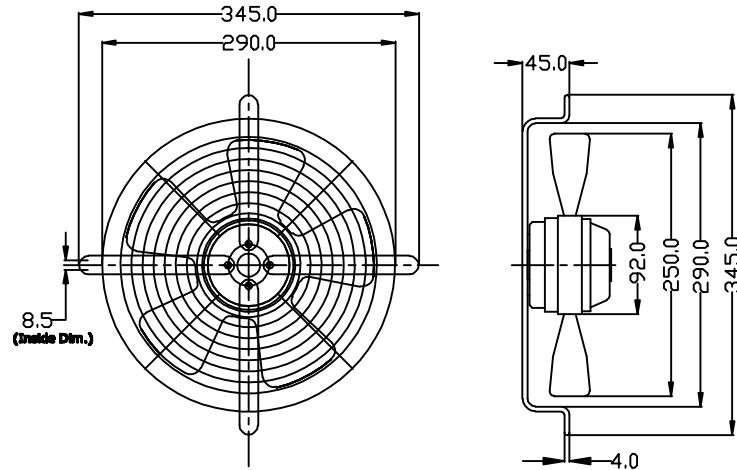
# TECHNICAL DATA SHEET

## ACCESSORIES

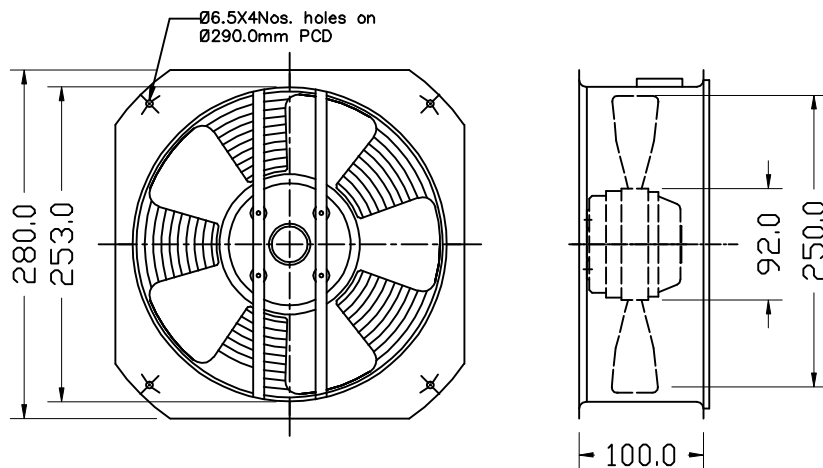
Flat Grill



Basket Grill



Housing



Material Thickness: 1.0mm

All information contained in this document is CONFIDENTIAL and the property of VBM. Reproduction of this any form is to be done with the specific permission of the company.

NOTE: ALL DIMENSIONS ARE IN MM.

MODEL : FA23/250-14/S2

SCALE: NTS | Page 2 of 2

REV/DATE: 01,29.11.2013

PREPARED BY : J.G.P

CHECKED BY : S.B.D

