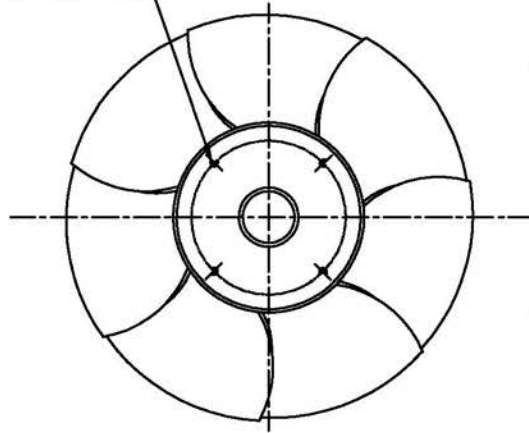




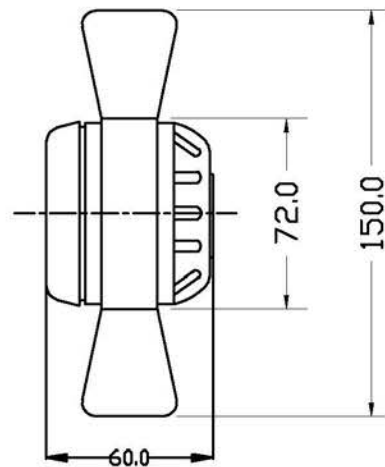
TECHNICAL DATA SHEET

M4X8mm, 4Nos On
Ø58.0mm PCD



Sucking
Airflow

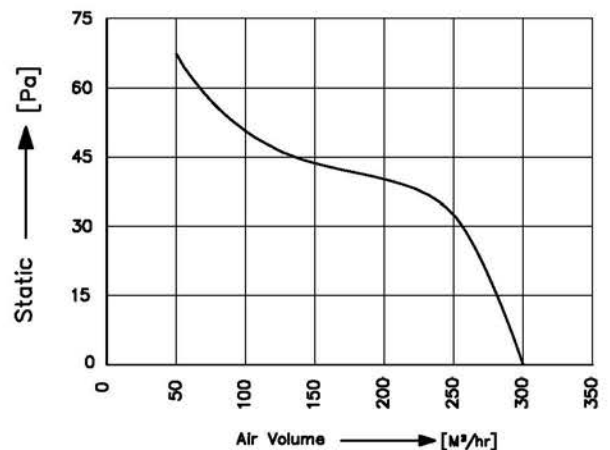
Blowing
Airflow



SPECIFICATION (50Hz)

Voltage (V)	230
Watt (W)	39
Amps (A)	0.21
Speed (rpm)	2250
Capacitor (μ F)	1.0
Airflow (m^3/hr)	300
Noise (db)	55
Net Weight (Kg)	1.1

PERFORMANCE CURVE



Conversion: 100pa \approx 0.4" H2O 100m³/hr \approx 60cfm

All information contained in this document is CONFIDENTIAL and the property of VBM. Reproduction of this any form is to be done with the specific permission of the company.

*Material :

- Blade: Steel, powder coated
- Grill: Steel, powder coated
- Rotor: Powder coated
- Housing: Aluminium/steel powder coated

*Type of protection: IP-44

*Insulation Class: "F"- Class

*Bearing: Maintenance free Ball Bearing.

*Permissible ambient temperature: 0 to 60° C

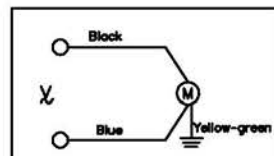
*High Voltage test according to IS: 3588-1987

*Balancing Grade: Fans conform 2.5 Grade as recommended by IS 1940-1973

*Direction of rotation: Sucking- Counter clockwise

Blowing- Clockwise, Seen on rotor

*Wiring Diagram :



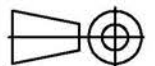
MODEL : FA23/150-28/A1

SCALE: NTS | Page 1 of 2

REV/DATE: 01,29.11.2013

PREPARED BY : J.G.P

CHECKED BY : S.B.D

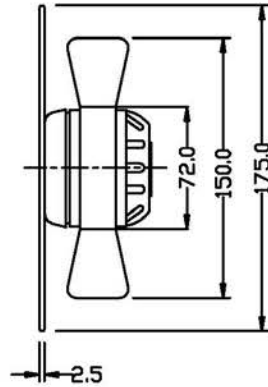
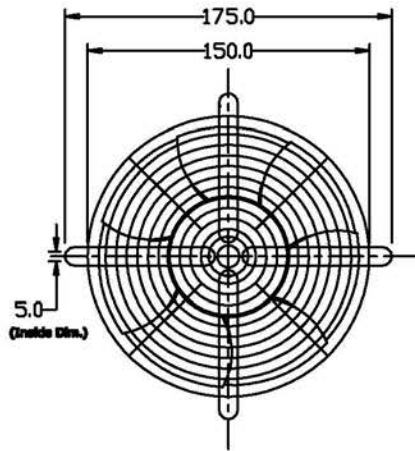




TECHNICAL DATA SHEET

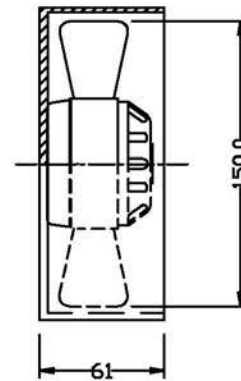
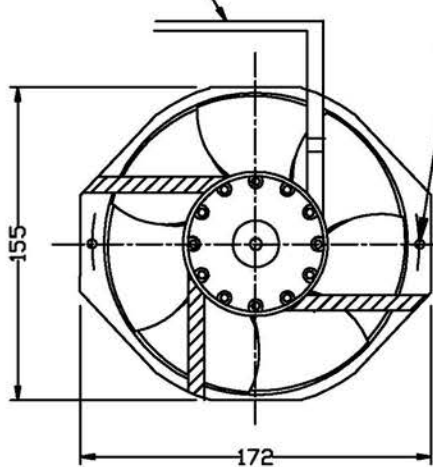
ACCESSORIES

Flat Grill

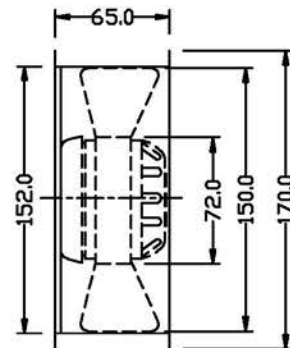
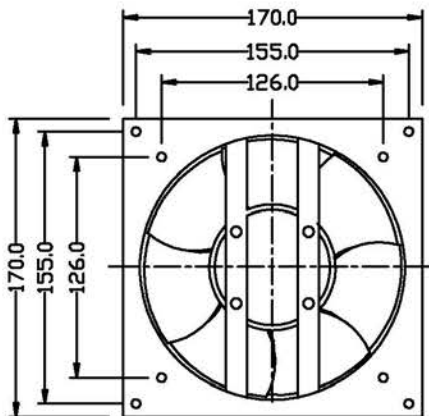


Aluminium Housing

Lead Wire, 250 mm long



M.S Housing



Material Thickness: 1.0mm

All information contained in this document is CONFIDENTIAL and the property of VBM. Reproduction of this any form is to be done with the specific permission of the company.

NOTE: ALL DIMENSIONS ARE IN MM.

MODEL : FA23/150-28/A1

SCALE: NTS Page 2 of 2

REV/DATE: 01,29.11.2013

PREPARED BY : J.G.P

CHECKED BY : S.B.D

