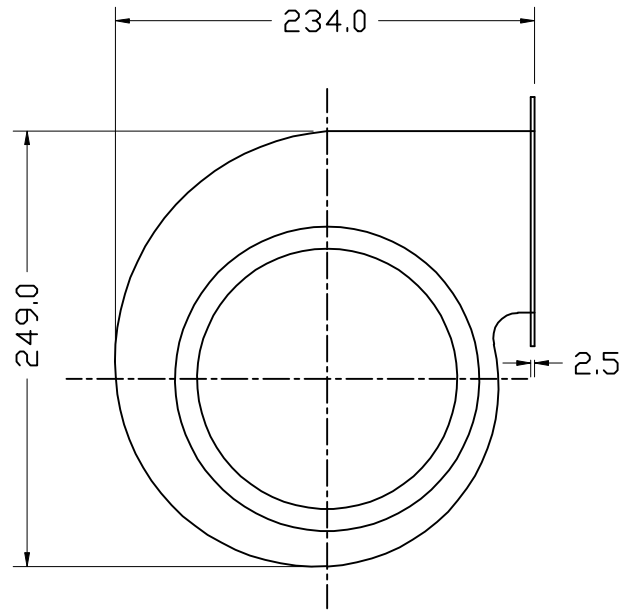
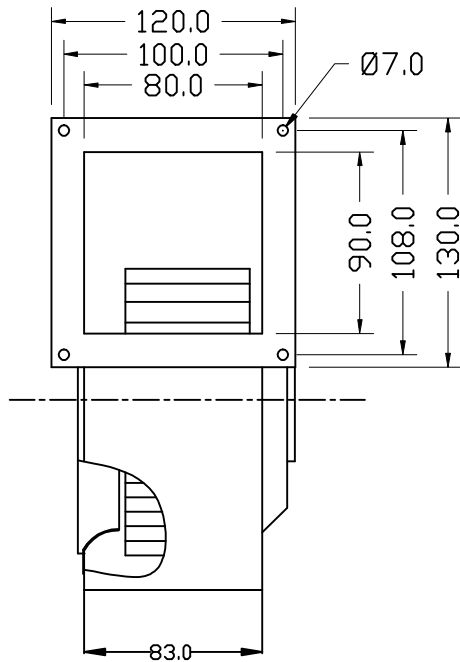




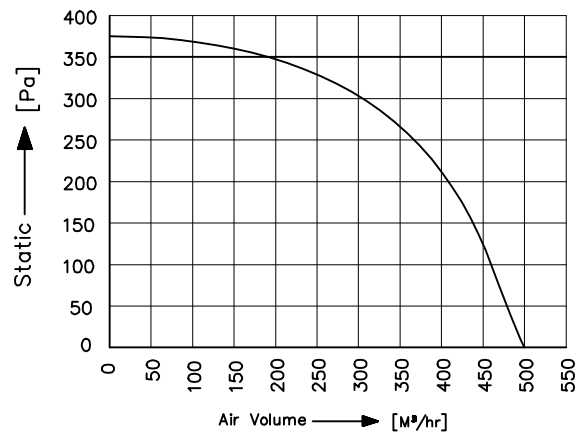
TECHNICAL DATA SHEET



SPECIFICATION (50Hz)

PERFORMANCE CURVE

Voltage (V)	415
Watt (W)	162
Amps (A)	0.28
Speed (rpm)	2400
Capacitor (µF)	---
Airflow (m ³ /hr)	500
Noise (db)	76
Net Weight (Kg)	4.0



Conversion: 100pa ≈ 0.4" H2O 100m³/hr ≈ 60cfm

All information contained in this document is CONFIDENTIAL and the property of VBM. Reproduction of this any form is to be done with the specific permission of the company.

***Material :**

- Impeller: G.I, Zinc Plated
- Housing: Steel, powder coated
- Rotor: Powder coated

*Type of protection: IP-54

*Insulation Class: "F"- Class

*Bearing: Maintenance free Ball Bearing.

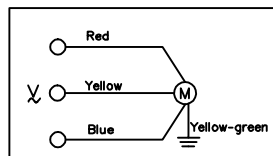
*Permissible ambient temperature: 0 to 60° C

*High Voltage test according to IS: 3588-1987

*Balancing Grade: Fans conform 2.5 Grade as recommended by IS 1940-1973

*Direction of rotation: Clockwise, Seen on rotor

***Wiring Diagram :**



NOTE: ALL DIMENSIONS ARE IN MM.

MODEL : SI44/160-28/S3

SCALE: NTS | Page 1 of 1

REV/DATE: 01,29.11.2013

PREPARED BY : J.G.P

CHECKED BY : S.B.D

